

## Turbo-Lux® 3

### Application

- Analog Fire pump flowmeter
- Measurement of flow of liquids (water) in stationary water extinguishing systems
- FM, LPCB and VdS approved



### Technical data

**Measuring principle** Orifice plate flowmeter with variable flowmeter as indication

#### Input

- Nominal size
  - 2"/DN 50 (Ø 60.3 mm)
  - 2½"/DN 65 (Ø 73.0 mm)
  - 2½"/DN 65 (Ø 76.1 mm)
  - 3"/DN 80 (Ø 88.9 mm)
  - 4"/DN 100 (Ø 114.3 mm)
  - 6"/DN 150 (Ø 165.1 mm)
  - 6"/DN 150 (Ø 168.3 mm)
  - 8"/DN 200 (Ø 219.1 mm)
  - 10"/DN 250 (Ø 273.0 mm)
  - 12"/DN 300 (Ø 323.9 mm)
- Pressure limits
  - 500 psi (34.5 bar) from 2" (DN 50) ... 8" (DN 200) - FM
  - 232 psi (16 bar) from 10" (DN 250) ... 12" (DN 300) - FM
  - 232 psi (16 bar) from 2" (DN 50) ... 8" (DN 200) - LPCB, VdS
- Hydrostatically strength/  
Pressure strength
  - 1000 psi (69 bar) for 5 min. - FM
  - 580 psi (40 bar) for 5 min. - LPCB
  - 928 psi (64 bar) for 10 min. - VdS

**Measuring accuracy** ±2.0 % of full scale value - FM  
±5.0 % of measured value - LPCB  
±2.5 % of full scale value - VdS

#### Application conditions

- Temperature limit 39 °F ... 122 °F (4 ... 50 °C)
- Medium Water

#### Design / material

- Orifice plate
  - Housing tube in
  - 2"/DN 50 ... 4"/DN 100 Stainless steel with turned grooved connection
  - 6"/DN 150 ... 12"/DN 300 Coated steel with rolled grooved connection
- Differential pressure tube Brass
- Float Stainless steel
- Bypass orifice Stainless steel
- Filter Stainless steel
- Gasket NBR

**Certifications** FM Approval PR455022  
LPCB Certificate Number 1385a  
VdS G415006

**Instructions for the application (VdS)**

The use of the flowmeters is allowed with the VdS-approved pipe couplings of the manufacturers Anvil, Jinan Meide (type 1G) Tyco (type Grinell Mechanical and G-Fire Steel IPS), Minimax, Mogdal and Victaulic (except for pipe coupling type Style 77 and 009N)

**Installation notes**

Before and after the orifice plate a straight calming section is provided as a function of the nominal diameter (D). With an installation of an one quarter pipe (independent of the direction) the distance of the inlet path of min. 5 x D and an outflow zone of 2 x D is required (fig. 1). The connected pipes have to be of the same size as the orifice plate.

- An inlet path of 5 x D requires a mounted quarter pipe before.

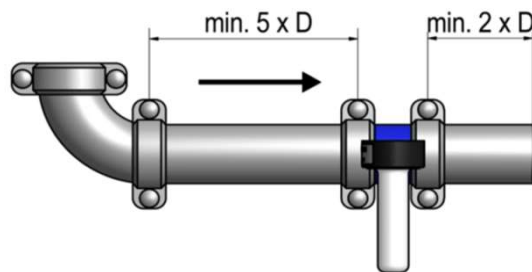


Fig. 1 Inlet path and outflow zone at 5 x D with an one quarter pipe

- An inlet path of min. 10 x D is required if a **valve, fitting or T-piece pipe** is mounted before where at least 5 x D must be available as a straight inlet section directly in front of the orifice plate (fig. 2).

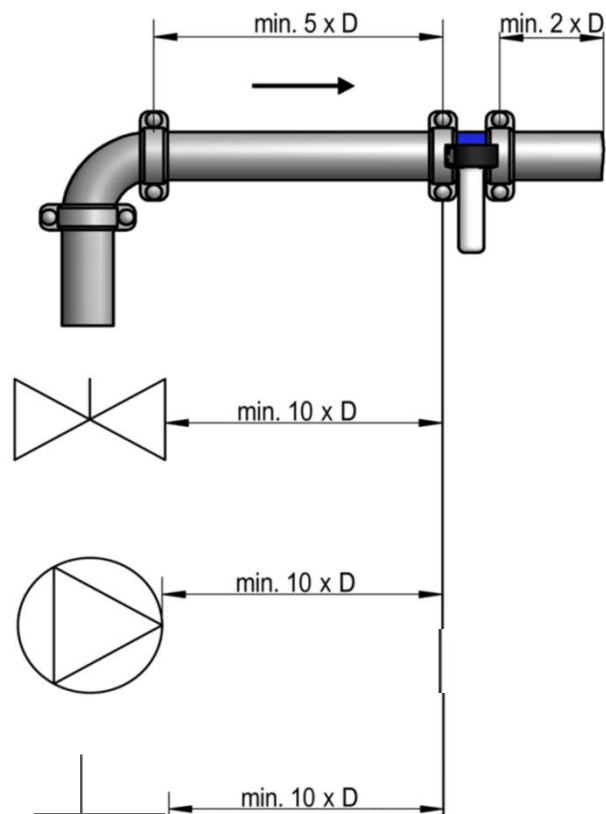


Fig. 2 Inlet path and outflow zone



**Dimensions**

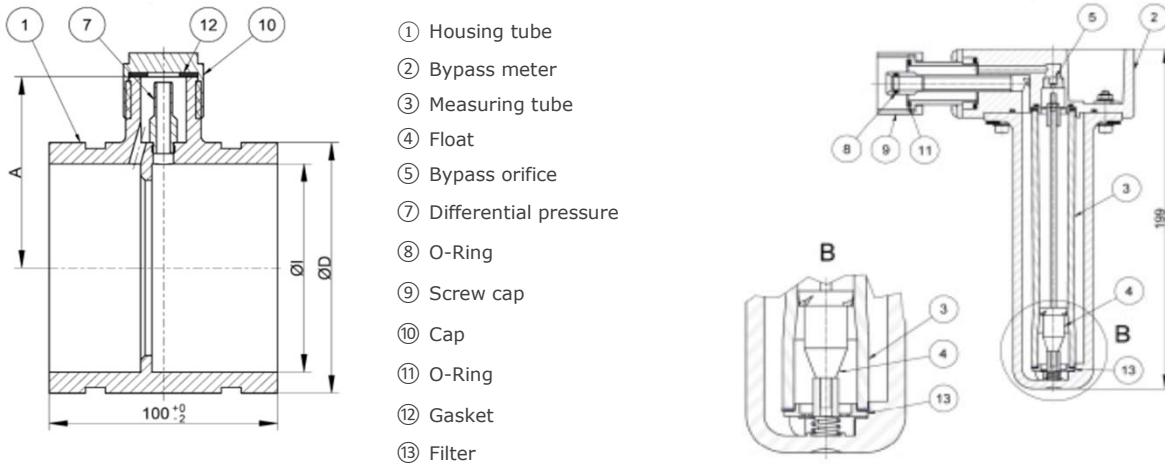


Fig. 3 Turbo-Lux® 3 orifice plate and bypass meter, Drawing and dimensions 2" / DN 50 ... 4" / DN 100

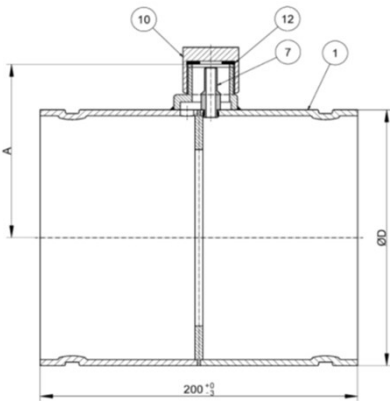


Fig. 4 Turbo-Lux® 3 orifice plate, drawing and dimensions 6" / DN 150 ... 12" / DN 300

Nominal Size	Dimensions (inch / mm)						Weight	
	Ø D		A (appr.)		Ø l		incl. packing (lbs / kg)	
2"/DN 50	2.375	60.3	2.362	60	2.087	53	3.57	0.4
2½"/DN 65	2.875	73.0	2.677	68	2.598	66	3.97	0.8
2½"/DN 65	3.000	76.1	2.677	68	2.598	66	4.41	0.8
3"/DN 80	3.500	88.9	2.952	75	3.150	80	4.41	0.8
4"/DN 100	4.500	114.3	3.425	87	3.937	100	6.61	1.8
6"/DN 150	6.500	165.1	4.449	113	-	-	10.58	3.3
6"/DN 150	6.625	168.3	4.488	114	-	-	10.58	3.3
8"/DN 200	8.625	219.1	5.511	140	-	-	13.00	4.8
10"/DN 250	10.750	273.0	6.535	166	-	-	19.84	7.4
12"/DN 300	12.750	323.9	7.559	192	-	-	25.35	9.4

Tab. 1 Dimensions and weights (orifice plate and bypass meter)

**Description code**

**SET Orifice plate + Bypass Meter**

Order code	Description	Measuring range			
TL3A0-EB	2"/ DN 50 for pump 50 USgpm (ø 60,3 mm)	20 ... 100	USgpm	75 ... 375	lpm
TL3A0-EBC	2"/ DN 50 for pump 50 USgpm (ø 60,3 mm) <sup>2)</sup>	20 ... 100	USgpm	75 ... 375	lpm
TL3A0-UC	2½"/ DN 65 for pump 100 USgpm (ø 73,0 mm) <sup>1) 2)</sup>	40 ... 200	USgpm	150 ... 750	lpm
TL3A0-UCC	2½"/ DN 65 for pump 100 USgpm (ø 73,0 mm) <sup>1) 2)</sup>	40 ... 200	USgpm	150 ... 750	lpm
TL3A0-FC	2½"/ DN 65 for pump 100 USgpm (ø 76,1 mm)	40 ... 200	USgpm	150 ... 750	lpm
TL3A0-FCC	2½"/ DN 65 for pump 100 USgpm (ø 76,1 mm) <sup>2)</sup>	40 ... 200	USgpm	150 ... 750	lpm
TL3A0-GD	3"/ DN 80 for pump 150 USgpm (ø 88,9 mm)	60 ... 300	USgpm	220 ... 1100	lpm
TL3A0-GDC	3"/ DN 80 for pump 150 USgpm (ø 88,9 mm) <sup>2)</sup>	60 ... 300	USgpm	220 ... 1100	lpm
TL3A0-GE	3"/ DN 80 for pump 200 USgpm (ø 88,9 mm)	80 ... 400	USgpm	300 ... 1500	lpm
TL3A0-GEC	3"/ DN 80 for pump 200 USgpm (ø 88,9 mm) <sup>2)</sup>	80 ... 400	USgpm	300 ... 1500	lpm
TL3A0-HF	4"/ DN 100 for pump 250 USgpm (ø 114,3 mm)	100 ... 500	USgpm	380 ... 1900	lpm
TL3A0-HFC	4"/ DN 100 for pump 250 USgpm (ø 114,3 mm) <sup>2)</sup>	100 ... 500	USgpm	380 ... 1900	lpm
TL3A0-HG	4"/ DN 100 for pump 300 USgpm (ø 114,3 mm)	120 ... 600	USgpm	460 ... 2300	lpm
TL3A0-HGC	4"/ DN 100 for pump 300 USgpm (ø 114,3 mm) <sup>2)</sup>	120 ... 600	USgpm	460 ... 2300	lpm
TL3A0-HH	4"/ DN 100 for pump 400 USgpm (ø 114,3 mm)	160 ... 800	USgpm	600 ... 3000	lpm
TL3A0-HHC	4"/ DN 100 for pump 400 USgpm (ø 114,3 mm) <sup>2)</sup>	160 ... 800	USgpm	600 ... 3000	lpm
TL3A0-HJ	4"/ DN 100 for pump 450 USgpm (ø 114,3 mm)	180 ... 900	USgpm	680 ... 3400	lpm
TL3A0-HJC	4"/ DN 100 for pump 450 USgpm (ø 114,3 mm) <sup>2)</sup>	180 ... 900	USgpm	680 ... 3400	lpm
TL3A0-KK	6"/ DN 150 for pump 500 USgpm (ø 168,3 mm)	200 ... 1000	USgpm	760 ... 3800	lpm
TL3A0-KKC	6"/ DN 150 for pump 500 USgpm (ø 168,3 mm) <sup>2)</sup>	200 ... 1000	USgpm	760 ... 3800	lpm
TL3A0-KKR	6"/ DN 150 for pump 500 USgpm (ø 168,3 mm) - color red	200 ... 1000	USgpm	760 ... 3800	lpm
TL3A0-KL	6"/ DN 150 for pump 750 USgpm (ø 168,3 mm)	300 ... 1500	USgpm	1130 ... 5650	lpm
TL3A0-KLC	6"/ DN 150 for pump 750 USgpm (ø 168,3 mm) <sup>2)</sup>	300 ... 1500	USgpm	1130 ... 5650	lpm
TL3A0-KLR	6"/ DN 150 for pump 750 USgpm (ø 168,3 mm) - color red	300 ... 1500	USgpm	1130 ... 5650	lpm
TL3A0-KM	6"/ DN 150 for pump 1000 USgpm (ø 168,3 mm)	400 ... 2000	USgpm	1500 ... 7500	lpm
TL3A0-KMC	6"/ DN 150 for pump 1000 USgpm (ø 168,3 mm) <sup>2)</sup>	400 ... 2000	USgpm	1500 ... 7500	lpm
TL3A0-KMR	6"/ DN 150 for pump 1000 USgpm (ø 168,3 mm) - color red	400 ... 2000	USgpm	1500 ... 7500	lpm
TL3A0-KN	6"/ DN 150 for pump 1250 USgpm (ø 168,3 mm)	500 ... 2500	USgpm	1900 ... 9500	lpm
TL3A0-KNC	6"/ DN 150 for pump 1250 USgpm (ø 168,3 mm) <sup>2)</sup>	500 ... 2500	USgpm	1900 ... 9500	lpm
TL3A0-KNR	6"/ DN 150 for pump 1250 USgpm (ø 168,3 mm) - color red	500 ... 2500	USgpm	1900 ... 9500	lpm
TL3A0-XK	6"/ DN 150 for pump 500 USgpm (ø 165,1 mm)	200 ... 1000	USgpm	760 ... 3800	lpm
TL3A0-XKC	6"/ DN 150 for pump 500 USgpm (ø 165,1 mm) <sup>2)</sup>	200 ... 1000	USgpm	760 ... 3800	lpm
TL3A0-XKR	6"/ DN 150 for pump 500 USgpm (ø 165,1 mm) - color red	200 ... 1000	USgpm	760 ... 3800	lpm
TL3A0-XL	6"/ DN 150 for pump 750 USgpm (ø 165,1 mm)	300 ... 1500	USgpm	1130 ... 5650	lpm
TL3A0-XLC	6"/ DN 150 for pump 750 USgpm (ø 165,1 mm) <sup>2)</sup>	300 ... 1500	USgpm	1130 ... 5650	lpm
TL3A0-XLR	6"/ DN 150 for pump 750 USgpm (ø 165,1 mm) - color red	300 ... 1500	USgpm	1130 ... 5650	lpm
TL3A0-XM	6"/ DN 150 for pump 1000 USgpm (ø 165,1 mm)	400 ... 2000	USgpm	1500 ... 7500	lpm
TL3A0-XMC	6"/ DN 150 for pump 1000 USgpm (ø 165,1 mm) <sup>2)</sup>	400 ... 2000	USgpm	1500 ... 7500	lpm
TL3A0-XMR	6"/ DN 150 for pump 1000 USgpm (ø 165,1 mm) - color red	400 ... 2000	USgpm	1500 ... 7500	lpm
TL3A0-XN	6"/ DN 150 for pump 1250 USgpm (ø 165,1 mm)	500 ... 2500	USgpm	1900 ... 9500	lpm
TL3A0-XNC	6"/ DN 150 for pump 1250 USgpm (ø 165,1 mm) <sup>2)</sup>	500 ... 2500	USgpm	1900 ... 9500	lpm
TL3A0-XNR	6"/ DN 150 for pump 1250 USgpm (ø 165,1 mm) - color red	500 ... 2500	USgpm	1900 ... 9500	lpm
TL3A0-LP	8"/ DN 200 for pump 1500 USgpm (ø 219,1 mm)	600 ... 3000	USgpm	2200 ... 11000	lpm
TL3A0-LPC	8"/ DN 200 for pump 1500 USgpm (ø 219,1 mm) <sup>2)</sup>	600 ... 3000	USgpm	2200 ... 11000	lpm
TL3A0-LPR	8"/ DN 200 for pump 1500 USgpm (ø 219,1 mm) - color red	600 ... 3000	USgpm	2200 ... 11000	lpm

TL3A0-LQ	8"/ DN 200 for pump 2000 USgpm (ø 219,1 mm)	800 ... 4000	USgpm	3000 ... 15000	lpm
TL3A0-LQC	8"/ DN 200 for pump 2000 USgpm (ø 219,1 mm) <sup>2)</sup>	800 ... 4000	USgpm	3000 ... 15000	lpm
TL3A0-LQR	8"/ DN 200 for pump 2000 USgpm (ø 219,1 mm) - color red	800 ... 4000	USgpm	3000 ... 15000	lpm

<sup>1)</sup> Size 2½" (ø 73.0 mm) and 10" (DN 250) ... 12" (DN 300) are only available with FM approval

<sup>2)</sup> Measuring accuracy certificate for orifice plate flowmeter (SET)

Order code	Description	Measuring range			
TL3A0-LR	8"/ DN 200 for pump 2500 USgpm (ø 219,1 mm)	1000 ... 5000	USgpm	3800 ... 19000	lpm
TL3A0-LRC	8"/ DN 200 for pump 2500 USgpm (ø 219,1 mm) <sup>2)</sup>	1000 ... 5000	USgpm	3800 ... 19000	lpm
TL3A0-LRR	8"/ DN 200 for pump 2500 USgpm (ø 219,1 mm) - red	1000 ... 5000	USgpm	3800 ... 19000	lpm
TL3A0-LS	8"/ DN 200 for pump 3000 USgpm (ø 219,1 mm)	1200 ... 6000	USgpm	4500 ... 22000	lpm
TL3A0-LSC	8"/ DN 200 for pump 3000 USgpm (ø 219,1 mm) <sup>2)</sup>	1200 ... 6000	USgpm	4500 ... 22000	lpm
TL3A0-LSR	8"/ DN 200 for pump 3000 USgpm (ø 219,1 mm) - red	1200 ... 6000	USgpm	4500 ... 22000	lpm
TL3A0-MT	10"/ DN 250 for pump 3500 USgpm (ø 273,0 mm) <sup>1)</sup>	1400 ... 7000	USgpm	5300 ... 26500	lpm
TL3A0-MTC	10"/ DN 250 for pump 3500 USgpm (ø 273,0 mm) <sup>1) 2)</sup>	1400 ... 7000	USgpm	5300 ... 26500	lpm
TL3A0-MTR	10"/ DN 250 for pump 3500 USgpm (ø 273,0 mm) - red <sup>1)</sup>	1400 ... 7000	USgpm	5300 ... 26500	lpm
TL3A0-MU	10"/ DN 250 for pump 4000 USgpm (ø 273,0 mm) <sup>1)</sup>	1600 ... 8000	USgpm	6000 ... 30000	lpm
TL3A0-MUR	10"/ DN 250 for pump 4000 USgpm (ø 273,0 mm) - red <sup>1)</sup>	1600 ... 8000	USgpm	6000 ... 30000	lpm
TL3A0-MV	10"/ DN 250 for pump 4500 USgpm (ø 273,0 mm) <sup>1)</sup>	1800 ... 9000	USgpm	6800 ... 34000	lpm
TL3A0-MVR	10"/ DN 250 for pump 4500 USgpm (ø 273,0 mm) - red <sup>1)</sup>	1800 ... 9000	USgpm	6800 ... 34000	lpm
TL3A0-NW	12"/ DN 300 for pump 5000 USgpm (ø 323,9 mm) <sup>1)</sup>	2000 ... 10000	USgpm	7600 ... 38000	lpm
TL3A0-NWR	12"/ DN 300 for pump 5000 USgpm (ø 323,9 mm) - red <sup>1)</sup>	2000 ... 10000	USgpm	7600 ... 38000	lpm

#### Bypass Meter

Order code	Description	Measuring range			
TL3B0-EB	2"/ DN 50 for pump 50 USgpm (ø 60,3 mm)	20 ... 100	USgpm	75 ... 375	lpm
TL3B0-UC	2½"/ DN 65 for pump 100 USgpm (ø 73,0 mm)	40 ... 200	USgpm	150 ... 750	lpm
TL3B0-FC	2½"/ DN 65 for pump 100 USgpm (ø 76,1 mm)	40 ... 200	USgpm	150 ... 750	lpm
TL3B0-GD	3"/ DN 80 for pump 150 USgpm (ø 88,9 mm)	60 ... 300	USgpm	220 ... 1100	lpm
TL3B0-GE	3"/ DN 80 for pump 200 USgpm (ø 88,9 mm)	80 ... 400	USgpm	300 ... 1500	lpm
TL3B0-HF	4"/ DN 100 for pump 250 USgpm (ø 114,3 mm)	100 ... 500	USgpm	380 ... 1900	lpm
TL3B0-HG	4"/ DN 100 for pump 300 USgpm (ø 114,3 mm)	120 ... 600	USgpm	460 ... 2300	lpm
TL3B0-HH	4"/ DN 100 for pump 400 USgpm (ø 114,3 mm)	160 ... 800	USgpm	600 ... 3000	lpm
TL3B0-HJ	4"/ DN 100 for pump 450 USgpm (ø 114,3 mm)	180 ... 900	USgpm	680 ... 3400	lpm
TL3B0-KK	6"/ DN 150 for pump 500 USgpm (ø 168,3 mm)	200 ... 1000	USgpm	760 ... 3800	lpm
TL3B0-KL	6"/ DN 150 for pump 750 USgpm (ø 168,3 mm)	300 ... 1500	USgpm	1130 ... 5650	lpm
TL3B0-KM	6"/ DN 150 for pump 1000 USgpm (ø 168,3 mm)	400 ... 2000	USgpm	1500 ... 7500	lpm
TL3B0-KN	6"/ DN 150 for pump 1250 USgpm (ø 168,3 mm)	500 ... 2500	USgpm	1900 ... 9500	lpm
TL3B0-XK	6"/ DN 150 for pump 500 USgpm (ø 165,1 mm)	200 ... 1000	USgpm	760 ... 3800	lpm
TL3B0-XL	6"/ DN 150 for pump 750 USgpm (ø 165,1 mm)	300 ... 1500	USgpm	1130 ... 5650	lpm
TL3B0-XM	6"/ DN 150 for pump 1000 USgpm (ø 165,1 mm)	400 ... 2000	USgpm	1500 ... 7500	lpm
TL3B0-XN	6"/ DN 150 for pump 1250 USgpm (ø 165,1 mm)	500 ... 2500	USgpm	1900 ... 9500	lpm
TL3B0-LP	8"/ DN 200 for pump 1500 USgpm (ø 219,1 mm)	600 ... 3000	USgpm	2200 ... 11000	lpm
TL3B0-LQ	8"/ DN 200 for pump 2000 USgpm (ø 219,1 mm)	800 ... 4000	USgpm	3000 ... 15000	lpm
TL3B0-LR	8"/ DN 200 for pump 2500 USgpm (ø 219,1 mm)	1000 ... 5000	USgpm	3800 ... 19000	lpm
TL3B0-LS	8"/ DN 200 for pump 3000 USgpm (ø 219,1 mm)	1200 ... 6000	USgpm	4500 ... 22000	lpm
TL3B0-MT	10"/ DN 250 for pump 3500 USgpm (ø 273,0 mm) <sup>1)</sup>	1400 ... 7000	USgpm	5300 ... 26500	lpm
TL3B0-MU	10"/ DN 250 for pump 4000 USgpm (ø 273,0 mm) <sup>1)</sup>	1600 ... 8000	USgpm	6000 ... 30000	lpm
TL3B0-MV	10"/ DN 250 for pump 4500 USgpm (ø 273,0 mm) <sup>1)</sup>	1800 ... 9000	USgpm	6800 ... 34000	lpm
TL3B0-NW	12"/ DN 300 for pump 5000 USgpm (ø 323,9 mm) <sup>1)</sup>	2000 ... 10000	USgpm	7600 ... 38000	lpm

<sup>1)</sup> Size 2½" (ø 73.0 mm) and 10" (DN 250) ... 12" (DN 300) are only available with FM approval

<sup>2)</sup> Measuring accuracy certificate for orifice plate flowmeter (SET)

**Orifice plate**

Order code	Description	Measuring range			
TL3P0-EB	2"/DN 50 for pump 50 USgpm (Ø 60.3 mm)	20 ... 100	USgpm	75 ... 375	lpm
TL3P0-UC	2½"/DN 65 for pump 100 USgpm (Ø 73.0 mm)	40 ... 200	USgpm	150 ... 750	lpm
TL3P0-FC	2½"/DN 65 for pump 100 USgpm (Ø 76.1 mm)	40 ... 200	USgpm	150 ... 750	lpm
TL3P0-GD	3"/DN 80 for pump 150 USgpm (Ø 88.9 mm)	60 ... 300	USgpm	220 ... 1100	lpm
TL3P0-GE	3"/DN 80 for pump 200 USgpm (Ø 88.9 mm)	80 ... 400	USgpm	300 ... 1500	lpm
TL3P0-HF	4"/DN 100 pump 250 USgpm (Ø 114.3 mm)	100 ... 500	USgpm	380 ... 1900	lpm
TL3P0-HG	4"/DN 100 pump 300 USgpm (Ø 114.3 mm)	120 ... 600	USgpm	460 ... 2300	lpm
TL3P0-HH	4"/DN 100 pump 400 USgpm (Ø 114.3 mm)	160 ... 800	USgpm	600 ... 3000	lpm
TL3P0-HJ	4"/DN 100 pump 450 USgpm (Ø 114.3 mm)	180 ... 900	USgpm	680 ... 3400	lpm
TL3P0-KK	6"/DN 150 pump 500 USgpm (Ø 168.3 mm)	200 ... 1000	USgpm	760 ... 3800	lpm
TL3P0-KKR	6"/DN 150 pump 500 USgpm (Ø 168.3 mm), color red	200 ... 1000	USgpm	760 ... 3800	lpm
TL3P0-KKS	6"/DN 150 pump 500 USgpm (Ø 168.3 mm), stainless steel	200 ... 1000	USgpm	760 ... 3800	lpm
TL3P0-KL	6"/DN 150 pump 750 USgpm (Ø 168.3 mm)	300 ... 1500	USgpm	1130 ... 5650	lpm
TL3P0-KLR	6"/DN 150 pump 750 USgpm (Ø 168.3 mm), color red	300 ... 1500	USgpm	1130 ... 5650	lpm
TL3P0-KLS	6"/DN 150 pump 750 USgpm (Ø 168.3 mm), stainless steel	300 ... 1500	USgpm	1130 ... 5650	lpm
TL3P0-KM	6"/DN 150 pump 1000 USgpm (Ø 168.3 mm)	400 ... 2000	USgpm	1500 ... 7500	lpm
TL3P0-KMR	6"/DN 150 pump 1000 USgpm (Ø 168.3 mm), color red	400 ... 2000	USgpm	1500 ... 7500	lpm
TL3P0-KMS	6"/DN 150 pump 1000 USgpm (Ø 168.3 mm), stainless steel	400 ... 2000	USgpm	1500 ... 7500	lpm
TL3P0-KN	6"/DN 150 pump 1250 USgpm (Ø 168.3 mm)	500 ... 2500	USgpm	1900 ... 9500	lpm
TL3P0-KNR	6"/DN 150 pump 1250 USgpm (Ø 168.3 mm), color red	500 ... 2500	USgpm	1900 ... 9500	lpm
TL3P0-KNS	6"/DN 150 pump 1250 USgpm (Ø 168.3 mm), stainless steel	500 ... 2500	USgpm	1900 ... 9500	lpm
TL3P0-XK	6"/DN 150 pump 500 USgpm (Ø 165.1 mm)	200 ... 1000	USgpm	760 ... 3800	lpm
TL3P0-XKR	6"/DN 150 pump 500 USgpm (Ø 165.1 mm), color red	200 ... 1000	USgpm	760 ... 3800	lpm
TL3P0-XKS	6"/DN 150 pump 500 USgpm (Ø 165.1 mm), stainless steel	200 ... 1000	USgpm	760 ... 3800	lpm
TL3P0-XL	6"/DN 150 pump 750 USgpm (Ø 165.1 mm)	300 ... 1500	USgpm	1130 ... 5650	lpm
TL3P0-XLR	6"/DN 150 pump 750 USgpm (Ø 165.1 mm), color red	300 ... 1500	USgpm	1130 ... 5650	lpm
TL3P0-XLS	6"/DN 150 pump 750 USgpm (Ø 165.1 mm), stainless steel	300 ... 1500	USgpm	1130 ... 5650	lpm
TL3P0-XM	6"/DN 150 pump 1000 USgpm (Ø 165.1 mm)	400 ... 2000	USgpm	1500 ... 7500	lpm
TL3P0-XMR	6"/DN 150 pump 1000 USgpm (Ø 165.1 mm), color red	400 ... 2000	USgpm	1500 ... 7500	lpm
TL3P0-XMS	6"/DN 150 pump 1000 USgpm (Ø 165.1 mm), stainless steel	400 ... 2000	USgpm	1500 ... 7500	lpm
TL3P0-XN	6"/DN 150 pump 1250 USgpm (Ø 165.1 mm)	500 ... 2500	USgpm	1900 ... 9500	lpm
TL3P0-XNR	6"/DN 150 pump 1250 USgpm (Ø 165.1 mm), color red	500 ... 2500	USgpm	1900 ... 9500	lpm
TL3P0-XNS	6"/DN 150 pump 1250 USgpm (Ø 165.1 mm), stainless steel	500 ... 2500	USgpm	1900 ... 9500	lpm
TL3P0-LP	8"/DN 200 pump 1500 USgpm (Ø 219.1 mm)	600 ... 3000	USgpm	2200 ... 11000	lpm
TL3P0-LPR	8"/DN 200 pump 1500 USgpm (Ø 219.1 mm), color red	600 ... 3000	USgpm	2200 ... 11000	lpm
TL3P0-LPS	8"/DN 200 pump 1500 USgpm (Ø 219.1 mm), stainless steel	600 ... 3000	USgpm	2200 ... 11000	lpm

Order code	Description	Measuring range		
TL3P0-LQ	8"/DN 200 pump 2000 USgpm (Ø 219.1 mm)	800 ... 4000	USgpm	3000 ... 15000 lpm
TL3P0-LQR	8"/DN 200 pump 2000 USgpm (Ø 219.1 mm), color red	800 ... 4000	USgpm	3000 ... 15000 lpm
TL3P0-LQS	8"/DN 200 pump 2000 USgpm (Ø 219.1 mm), stainless steel	800 ... 4000	USgpm	3000 ... 15000 lpm
TL3P0-LR	8"/DN 200 pump 2500 USgpm (Ø 219.1 mm)	1000 ... 5000	USgpm	3800 ... 19000 lpm
TL3P0-LRR	8"/DN 200 pump 2500 USgpm (Ø 219.1 mm), color red	1000 ... 5000	USgpm	3800 ... 19000 lpm
TL3P0-LRS	8"/DN 200 pump 2500 USgpm (Ø 219.1 mm), stainless steel	1000 ... 5000	USgpm	3800 ... 19000 lpm
TL3P0-LS	8"/DN 200 pump 3000 USgpm (Ø 219.1 mm)	1200 ... 6000	USgpm	4500 ... 22000 lpm
TL3P0-LSR	8"/DN 200 pump 3000 USgpm (Ø 219.1 mm), color red	1200 ... 6000	USgpm	4500 ... 22000 lpm
TL3P0-LSS	8"/DN 200 pump 3000 USgpm (Ø 219.1 mm), stainless steel	1200 ... 6000	USgpm	4500 ... 22000 lpm
TL3P0-MT	10"/DN 250 pump 3500 USgpm (Ø 273.0 mm) <sup>1)</sup>	1400 ... 7000	USgpm	5300 ... 26500 lpm
TL3P0-MTR	10"/DN 250 pump 3500 USgpm (Ø 273.0 mm) <sup>1)</sup> , color red	1400 ... 7000	USgpm	5300 ... 26500 lpm
TL3P0-MTS	10"/DN 250 pump 3500 USgpm (Ø 273.0 mm) <sup>1)</sup> , stainless steel	1400 ... 7000	USgpm	5300 ... 26500 lpm
TL3P0-MU	10"/DN 250 pump 4000 USgpm (Ø 273.0 mm) <sup>1)</sup>	1600 ... 8000	USgpm	6000 ... 30000 lpm
TL3P0-MUR	10"/DN 250 pump 4000 USgpm (Ø 273.0 mm) <sup>1)</sup> , color red	1600 ... 8000	USgpm	6000 ... 30000 lpm
TL3P0-MUS	10"/DN 250 pump 4000 USgpm (Ø 273.0 mm) <sup>1)</sup> , stainless steel	1600 ... 8000	USgpm	6000 ... 30000 lpm
TL3P0-MV	10"/DN 250 pump 4500 USgpm (Ø 273.0 mm) <sup>1)</sup>	1800 ... 9000	USgpm	6800 ... 34000 lpm
TL3P0-MVR	10"/DN 250 pump 4500 USgpm (Ø 273.0 mm) <sup>1)</sup> , color red	1800 ... 9000	USgpm	6800 ... 34000 lpm
TL3P0-MVS	10"/DN 250 pump 4500 USgpm (Ø 273.0 mm) <sup>1)</sup> , stainless steel	1800 ... 9000	USgpm	6800 ... 34000 lpm
TL3P0-NW	12"/DN 300 pump 5000 USgpm (Ø 323.9 mm) <sup>1)</sup>	2000 ... 10000	USgpm	7600 ... 38000 lpm
TL3P0-NWR	12"/DN 300 pump 5000 USgpm (Ø 323.9 mm) <sup>1)</sup> , color red	2000 ... 10000	USgpm	7600 ... 38000 lpm
TL3P0-NWS	12"/DN 300 pump 5000 USgpm (Ø 323.9 mm) <sup>1)</sup> , stainless steel	2000 ... 10000	USgpm	7600 ... 38000 lpm

<sup>1)</sup> Size 2½" (Ø 73.0 mm) and 10" (DN 250) ... 12" (DN 300) are only available with FM approval

#### Replacement parts

Order code	Description
ZB-TL3P0-001	Replacement cap



**MECON GmbH**

Roentgenstr. 105  
50169 Kerpen  
Germany

**Tel.:** +49 (0) 2237 600 06 - 0

**E-Mail:** [info@mecon.de](mailto:info@mecon.de)

**Web:** [www.mecon.de/en](http://www.mecon.de/en)

